

MYDEK[®]
Non-combustible decking systems



The ultimate choice for
non-combustible decking



Why MyDek®?

Specifically designed for balconies and certified as non-combustible to A2-s1,d0 in compliance with Part B of the building regulations, **MyDek®** is also highly durable and has been extensively tested to ensure excellent slip-resistance, outstanding load-bearing capacity and resistance to scratches and wear.

Safe. Smart. Sustainable.

Our ethos runs through everything we do. We're passionate to ensure that our products reflect these values and make a significant contribution to residential balconies and terraces as safe and enjoyable places.

Quite simply, you're going to love this.



Safe.

- Class A2-s1,d0 fire rated non-combustible aluminium
- Non-slip surface coating gives PTV rating of 59
- Durable alloy won't rust or rot
- 30 year warranty



Smart.

- Attractive board design in range of colours
- Lightweight material reduces structural loads on buildings
- Fast fit system saves time and money on installation



Sustainable.

- Made from recycled aluminium and is 100% recyclable.
- Low maintenance material gives 60 year service life
- Ready availability and easily recycled ensuring a low whole-life cost.

For further information:

T: +44 (0)3300 94 94 11

E: sales@mydek.com

www.mydek.com



Balcony System

Fitting decking to balconies has never been easier. The system from **MyDeK**® offers a fully-compliant non-combustible decking that's easy and accurate to fit.

The aluminium ClipRail™ system with fixing centres pre-drilled, combined with cut-to-length boards means that you can simply and quickly fit the balcony deck right first time, in a fraction of the time.

Unrivalled endurance and versatility.

Benefits

- Fully non-combustible
- Achieves Euroclass A2-s1,d0 fire rating
- Specifically designed for balconies
- Versatile, quick-fit design

Aluminium Deck Boards

- Available in a wide range of RAL colours
- Long lasting – will never rot or warp
- Anti-slip, aesthetic textured finish
- Pleasant underfoot

Aluminium balcony ClipRail™

- Bolts directly to the balcony structure
- Long lasting – will never rot or warp
- Lightweight
- Designed specifically for balconies
- Allows rapid installation of decking boards

Aluminium End Caps (optional)

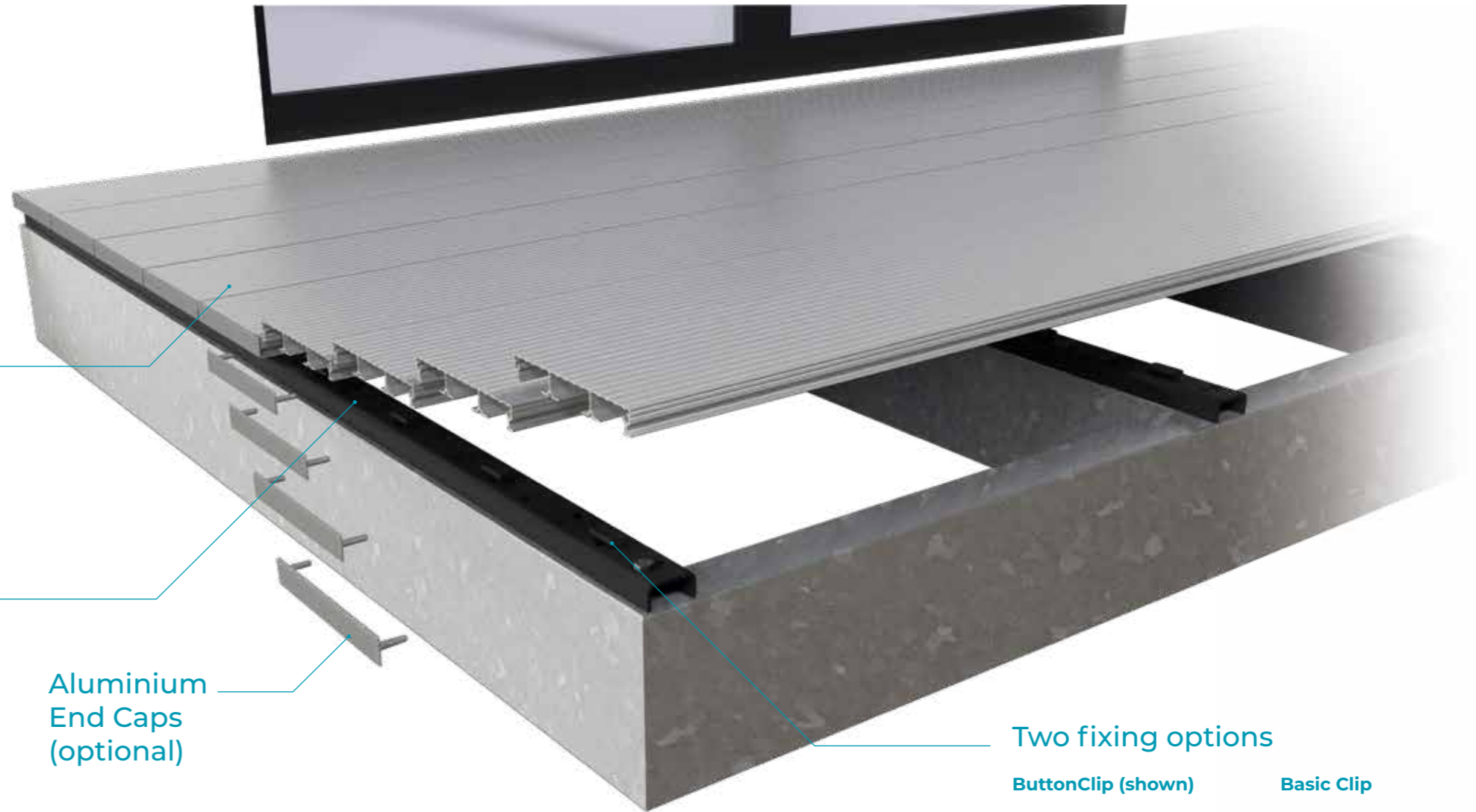
Two fixing options

ButtonClip (shown)

- Metal Clip, hidden fix system
- Rapid tool-free installation
- Accurately spaces boards

Basic Clip

- Easy to install
- Rigid fixing
- Accurately spaces boards



For further information:
T: +44 (0)3300 94 94 11
E: sales@mydek.com
www.mydek.com



For further information:
T: +44 (0)3300 94 94 11
E: sales@mydek.com
www.mydek.com

Terrace System

The **MyDek**® SupportRail™ system has been specially designed to meet the latest regulations and provide class-leading adjustability and ease of use.

Virtually tool-free installation means that installing **MyDek**® onto your terrace or inset balcony is rapid and accurate, and with the low SupportRail™ profile you can achieve finished floor levels from 80-300mm above the structural level.

Pedestals are constructed from corrosion-resistant stainless steel with a super-low base plate to allow water run-off, and 35mm of adjustment on every pedestal height option. The SupportRail™ is coated for longevity and pre-drilled at the correct spacing to rapidly fix **MyDek**® boards.

Benefits

- Fully non-combustible
- Achieves Euroclass A2-s1,d0 fire rating
- Ideal for inset balconies, podiums and terraces
- Versatile, quick-fit design

Adjustable Pedestal

- Tool-free fixing to SupportRail™
- Suits deck levels from 80mm upwards
- Highly durable stainless steel

Aluminium SupportRail™

- Accurately spaces boards
- Long lasting – will never rot or warp
- Lightweight
- Designed specifically for inset balconies and terraces

Two fixing options

ButtonClip (shown)

- Hidden metal fixing
- Rapid tool-free installation
- Accurately spaces boards

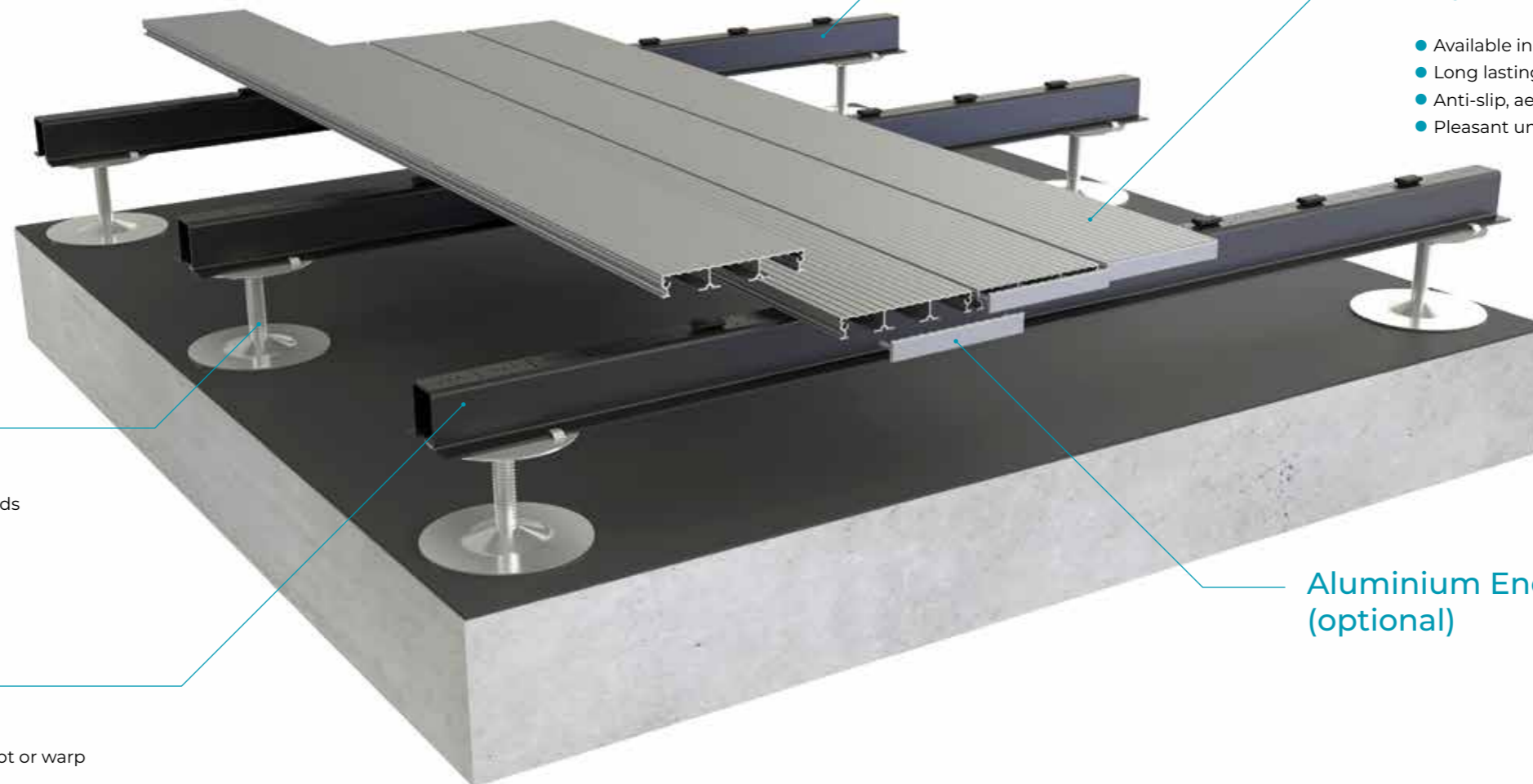
Basic Clip

- Simple to install
- Rigid metal fixing
- Accurately spaces boards

Aluminium Deck Boards

- Available in a wide range of RAL colours
- Long lasting – will never rot or warp
- Anti-slip, aesthetic textured finish
- Pleasant underfoot

Aluminium End Caps (optional)



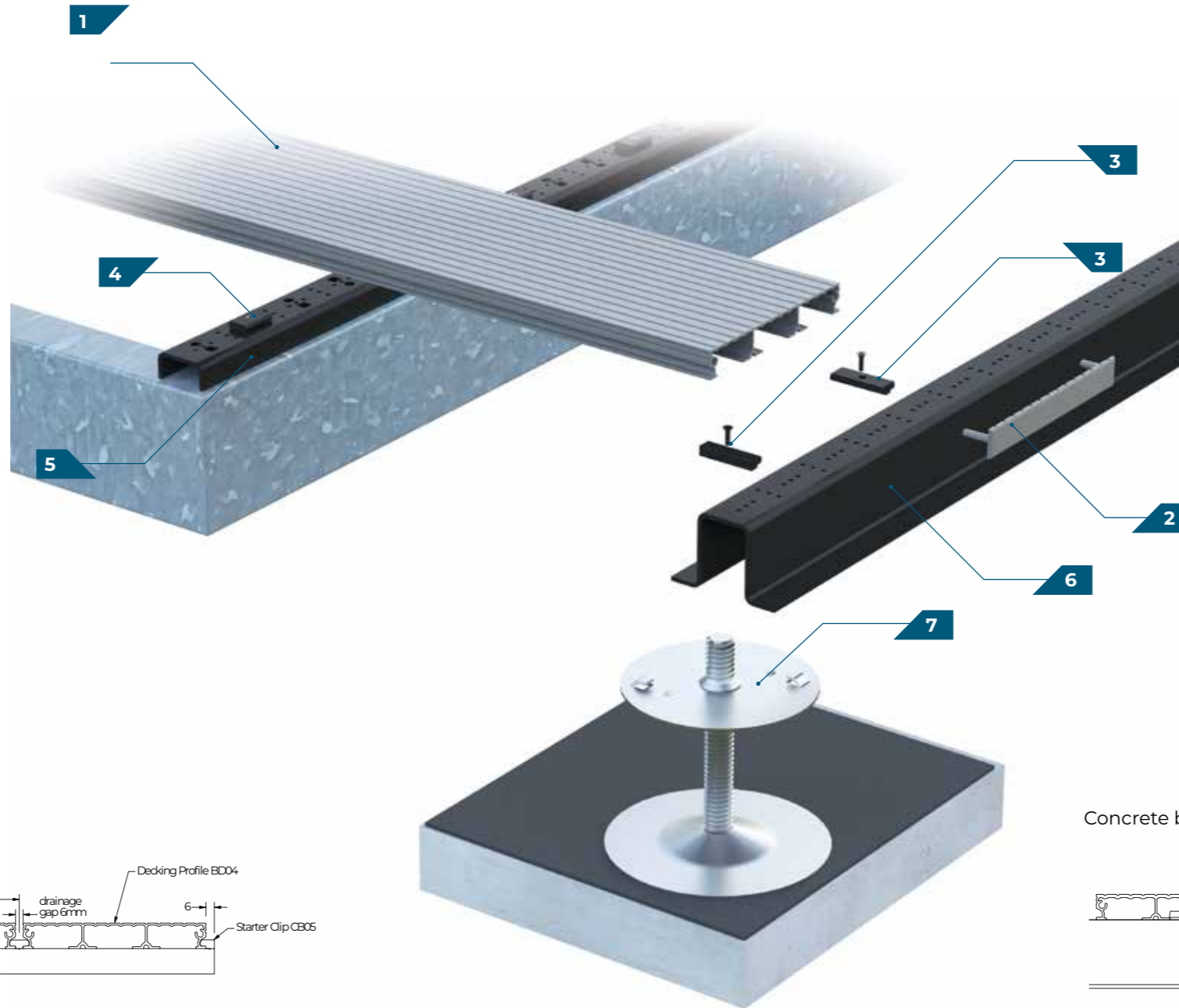
For further information:
T: +44 (0)3300 94 94 11
E: sales@mydek.com
www.mydek.com



System Components

Bolt-on balcony components

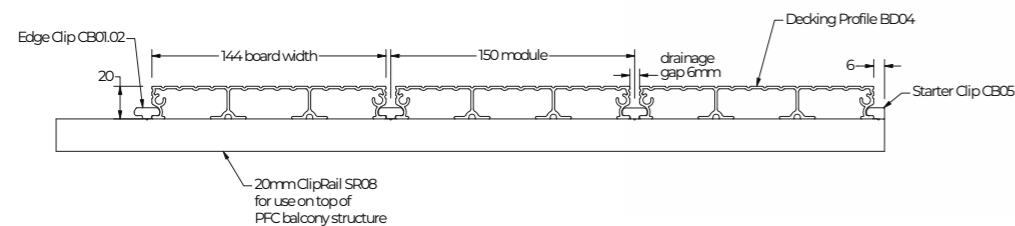
- 1. Vista Board BD04** – The ultimate non-combustible decking for balconies
- 2. End Cap** – to finish off board ends where visible
- 3. Basic Clip System** – the traditional way of fixing with non-combustible metal clips
- 4. Button Clip System (optional)** – for quick and easy decking installation with either ClipRail™ or Supportrail
- 5. ClipRail™** - the fast way to fit decking to projecting balconies



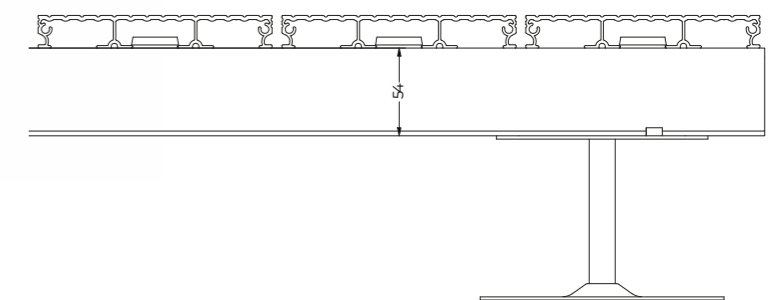
Concrete inset balcony or roof terrace components

- 1. Vista Board BD04** – The ultimate non-combustible decking for balconies
- 2. End Cap** – to finish off board ends where visible
- 3. Basic Clip System** – the traditional way of fixing with non-combustible metal clips
- 4. Button Clip System** – for quick and easy decking installation with either ClipRail™ or Supportrail
- 6. SupportRail™ System** – versatile and rapid to install
- 7. Adjustable Support Pedestal** – the most versatile and easily adjustable pedestal system on the market

Bolt-on balcony detail



Concrete balcony detail



For further information:
T: +44 (0)3300 94 94 11
E: sales@mydek.com
www.mydek.com

www.mydek.com



For further information:
T: +44 (0)3300 94 94 11
E: sales@mydek.com
www.mydek.com



Features:

- Non-Combustible: Class A2-s1,d0
- Non-slip: PTV Rated: 59 (Dry), 39.5 (Wet)
- Coated to Qualicoat Class 2
- Available in 6 standard colours

If you require specific RAL colours, just get in touch – there's a wide range of colours available*
(*MOQ and terms apply)

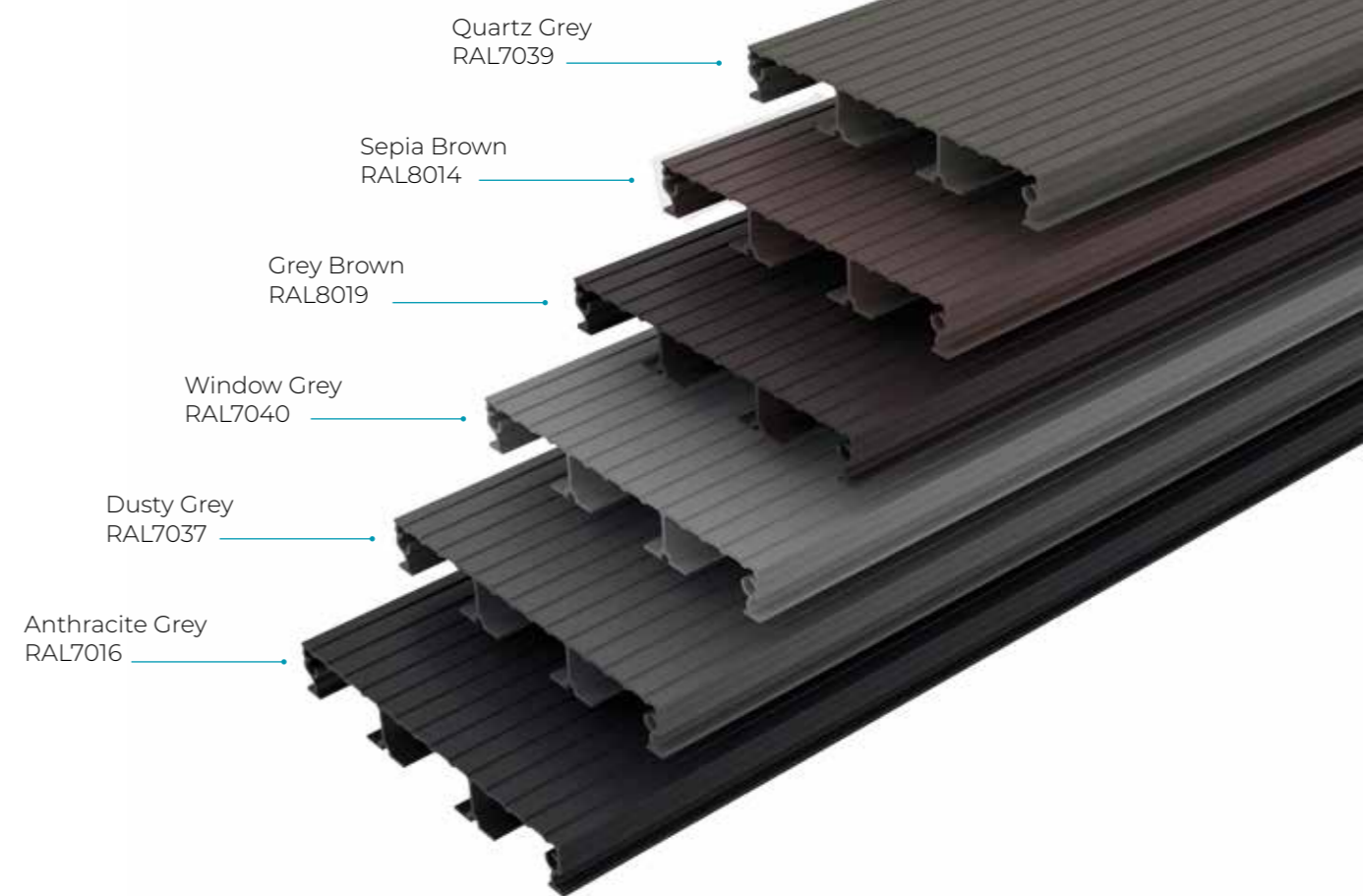
Colours and finishes

The Vista deck is everybody's choice for decking. Available in 6 standard colours, the coating is low-risk slip risk, highly resistant to foot traffic, ultra-durable and fine textured. And most importantly it's tested and certified to give you peace-of-mind.

The application of the coating is critical to its success, that's why we ensure Vista products undergo rigorous pre-treatment before the coating is applied.

Quality checks are made throughout the application process to ensure that every product will stand the highest standard of inspection – yours.

Rest assured - Vista combines durability and versatility with ultimate performance.



For further information:
T: +44 (0)3300 94 94 11
E: sales@mydek.com
www.mydek.com



For further information:
T: +44 (0)3300 94 94 11
E: sales@mydek.com
www.mydek.com

Vista deck board Technical Specifications

Dimensions

Board width x depth: **144 x 20mm**
Board length: **4m or cut-to-length**
(subject to conditions)

Material

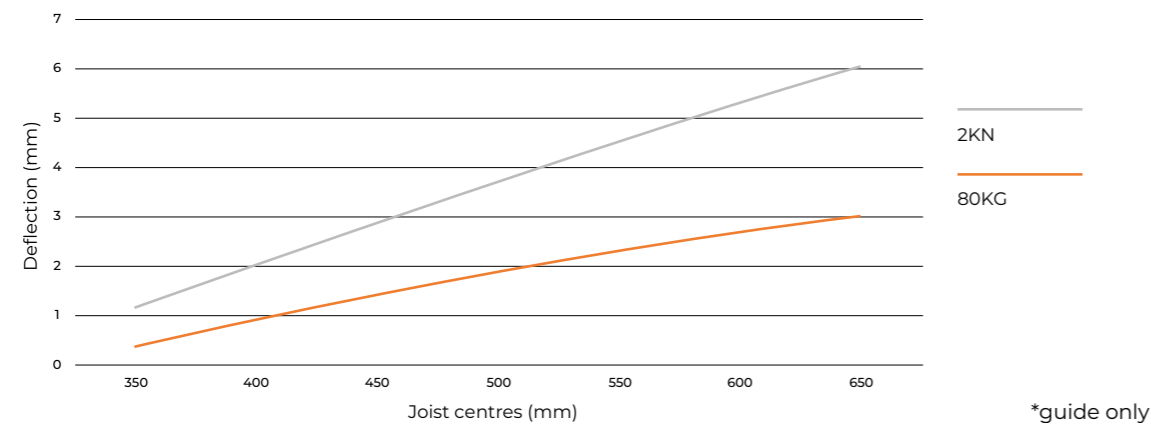
Board: **Aluminium grade 6063-T6**
Finish: **Polyester Powder Coating – 80micron slip-resistant**
Edge Clip / End Cap: **Aluminium grade LM24**
Clip-Rail™: **Aluminium grade 6063-T6**

Performance Standards

Quality	Standard	Value	Limit
Deflection – 80KG at 500mm span	EN310	2.5mm	-
Deflection – 2KN at 500mm span	EN310	4.2mm	<5mm
Slip resistance - Wet	BS7976 -2	39.5 PTV	>36
Slip resistance - Dry	Pendulum Slip Test	59 PTV	
Coefficient of thermal expansion	N/A	0.024mm/m/°C	-
Coating Durability	EN12206, EN13438	Qualicoat Class 2	-
Accelerated wear test (biomechanical - see appendix 1.1)	TM391:2016	'Very Slight' at 50K - 'Slight' at 100K	-
Furniture leg test (scratching)	EN424:2001	No damage Slight transfer	
Fire test (polyester powder coated)	EN 13501 – 1 A1:2013	A2 – s1, d0	A2 – s1, d0
Coating Adhesion	ISO-0 ASTM-5B	No separation	-
UV Stability	ISO2810	Class 2	3-year Florida

Strength:

Deflection under load for various joist centres*



For further information:
T: +44 (0)3300 94 94 11
E: sales@mydek.com
www.mydek.com

Support System Technical Specifications

Dimensions

SupportRail™: **55mm deep, 2.4m lengths**
Pedestals: **120 dia baseplate with height options from 80-300mm***

*Including 20mm MyDek decking board

Material

SupportRail™: **Aluminium grade 1050**
Pedestal: **Stainless steel A2/303**

Finish

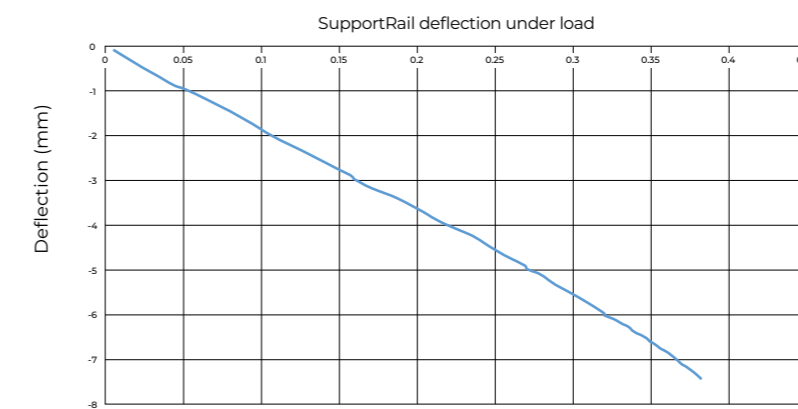
SupportRail™: **Black coated**
Pedestal: **Self colour**

Performance Standards

Quality	Standard	Value	Limit
Deflection – 80KG at 1200mm pedestal spacing	EN310	2.1mm	-
Deflection – 2KN at 1200mm pedestal spacing	EN310	4.9mm	<5mm
Coefficient of thermal expansion	N/A	0.024mm/m/°C	-
Coating Durability	EN12206, EN13438	Qualicoat Class 2	-
Fire test (polyester powder coated)	EN 13501 – 1 A1:2013	A2 – s1, d0	A2 – s1, d0
Coating Adhesion	ISO-0 ASTM-5B	No separation	-

Strength:

Deflection under load (tons)*



For further information:
T: +44 (0)3300 94 94 11
E: sales@mydek.com
www.mydek.com

*“Installation is fast, simple
and innovative”*

*“Brilliant products, obviously
designed for balconies”*

*“Looks like the sort of product that
you want to walk out on”*

*“An excellent company to deal with – very
helpful and knowledgeable, thank you”*

*“Really appreciate the quick product turnaround,
we’ll definitely be buying from you again”*



For further information:

T: +44 (0)3300 94 94 11

E: sales@mydek.com

www.mydek.com



Relax. Enjoy the view. Your
future is safe with MyDek

Call **(0)3300 94 94 11**
or visit **mydek.com**





MYDEK[®]

Non-combustible decking systems

Fairbourne Drive
Milton Keynes
MK10 9RG

T: **+44 (0)3300 94 94 11**

E: **sales@mydek.com**

www.mydek.com