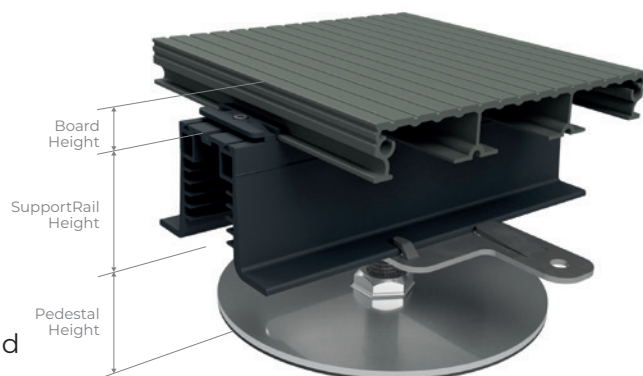


SupportRail Support System

Overview

A durable, non-combustible, aluminium support system designed for balconies and terraces. Compatible with all decking systems from MyDek for fast and accurate installation.



FEATURES:

- Fully certified
- Non-combustible
- Lightweight
- 30 year warranty
- 60 year design life

DIMMENSIONS & PRODUCT CODES:

	Pedestals								
Product code	SP02	SP03	SP04	SP05	SP06	SP07	SP08	SP09	SP10
Min. height (mm)	64	90	115	140	165	190	215	240	265
Max. height (mm)	90	120	145	170	195	220	245	270	290

Note: Pedestal heights in the table above include the height of the SupportRail and exclude the height of the deck board.

SupportRail	
Product code	SR16
Height (mm)	50

MATERIAL:

Pedestal	Stainless steel 304 grade
SupportRail	Aluminium grade 6063-T6
Expansion allowance	1mm per linear metre
Finish	Mill



Fairbourne Drive, Milton Keynes MK10 9RG

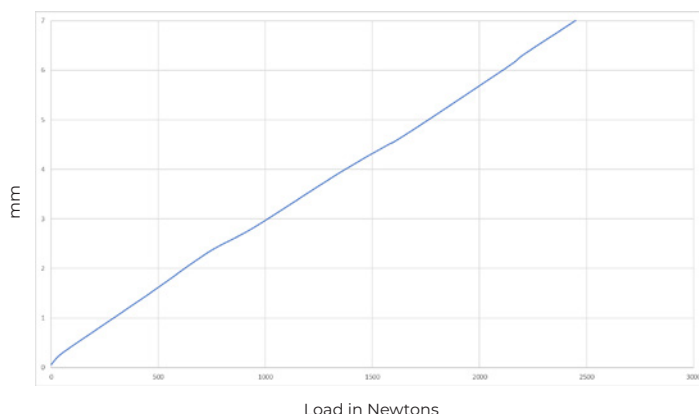
T: **+44 (0)3300 94 94 11**

E: **sales@mydek.com**

www.mydek.com

STRENGTH:

Deflection under load



PERFORMANCE STANDARDS:

QUALITY	STANDARD	VALUE	LIMIT
Coefficient of thermal expansion	N/A	0.024mm/m/°C	-
Fire test	EN 13501 – 1 A1:2013	A2-s1,d0	A2-s1,d0

APPLICATIONS:

For use on balconies, walkways, roof terraces, leisure areas and patios.

INSTALLATION:

Rail clips to adjustable pedestal. Rubber protection mats should be inserted to protect waterproofing membranes if necessary.

STORAGE AND HANDLING:

Profiles are packaged with protection against scratching and contamination, and supplied with appropriate support (e.g. stillage or pallet). Ensure that this level of protection is maintained until installation, including storage in dry conditions and support along the length of the profiles. Improper storage may lead to damage that falls outside the warranty.

ACCESSORIES:

For full range of accessories visit www.mydek.com



Fairbourne Drive, Milton Keynes MK10 9RG

T: +44 (0)3300 94 94 11

E: sales@mydek.com

www.mydek.com



Non-combustible decking systems

MANUFACTURER:

MyDek Limited
Fairbourne Drive
Milton Keynes
MK10 9RG

E: sales@mydek.com
T: **+44 (0)3300 94 94 11**
www.mydek.com

Summary

Safe.

All aluminium used to create MyDek is compliant with current industry and manufacturing standards. The products are fully tested for durability, deflection and slip resistance. All MyDek products are certified to the relevant fire standards.

Smart.

Under normal usage, MyDek is easy to maintain - simply wash the deck surface as needed without abrasive chemicals. MyDek is one of the lowest-maintenance systems available.

The unique ClipRail™ and SupportRail™ systems make MyDek installation fast and simple.

Sustainable.

The 60-year service life and ability to be recycled make MyDek a sustainable building feature. The longer life cycle reduces the energy required to produce replacements.

Aluminium wastage created through any of the manufacturing process is fully recyclable and is used to create other aluminium products.



Fairbourne Drive, Milton Keynes MK10 9RG

T: **+44 (0)3300 94 94 11**

E: sales@mydek.com

www.mydek.com