

J-Clip™

Tile lock Restraint System



**THE KEY TO
SECURING PAVING
AGAINST THE RISKS
OF WIND UPLIFT**

MYDEK®
Non-combustible decking systems

In partnership with...

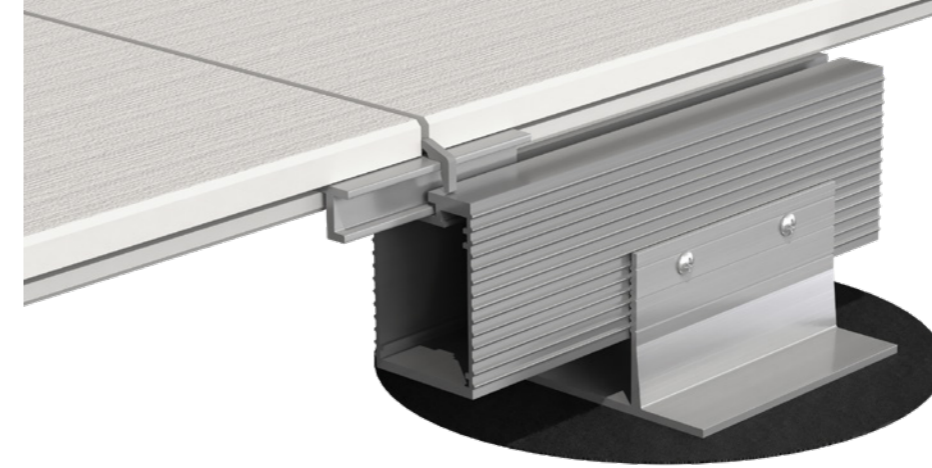
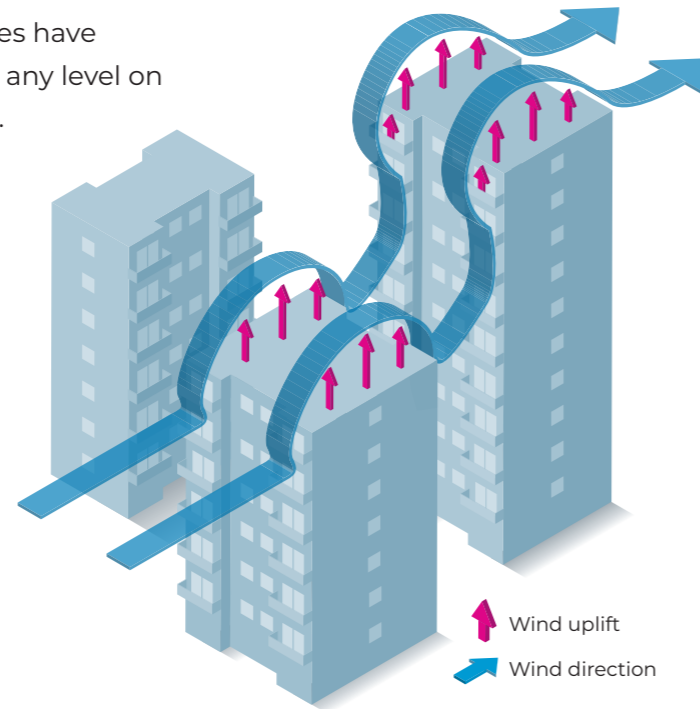
P Y R O
+
E C H O

EXTERNAL
PORCELAIN
TILE SPECIALIST

LOCK DOWN THE RISK OF PAVING WIND-UPLIFT ON ROOF TERRACES.

Laying paving unsecured on high level buildings leaves them at risk if wind uplift which causes significant safety issues. Recent cases have highlighted that this can happen at any level on terraces exposed to any wind forces.

As a brand focussed on enhancing safety on high rise buildings, MyDek has developed the J-Clip, an innovative solution for mechanically fixing 20mm porcelain tiles, eliminating the wind uplift risk and creating peace of mind for developers and residents.



The J-Clip also allows paving to be removed and replaced when access is required. View our installation video

J-CLIP, A SIMPLE SOLUTION TO MITIGATE THE RISKS OF WIND UPLIFT AND PAVING

The J-Clip™ is an innovative mechanism to enable the restraint of porcelain tiles against wind uplift. The unique design of the clip means it can be inserted anywhere along the rail and does not need to be inserted from one end.

The neat additional spacer creates the gap between the tiles in the other direction therefore allowing equal spacing around each tile.

J-Clip™ is fully compatible with the MyDek BoxRail System - allowing use of MyDek decking boards and porcelain tiles to be utilised on the same support framework.



Patent Pending:
Application No. 2217309.0

J-Clip™

Tile lock Restraint System

MYDEK
Non-combustible decking systems

mydek.com

T: +44 (0)3300 94 94 11
E: sales@mydek.com

mydek.com

TESTED TO SUCCESS! SAFE. SMART. SUSTAINABLE.

You have complete peace of mind with J-Clip. Rigorous testing by BRE to EN14437 demonstrated extraordinary results. Across a series of 5 tests an average pull resistance of over 1000 newtons before failure by the tile itself. This gives more than 6x higher safety factor than leaving the tiles unrestrained.

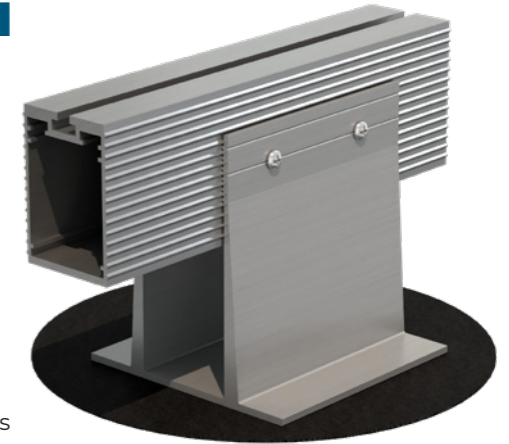
The tiles are laid on a neoprene strip which result in a comfortable and solid feel underfoot. Experience true quality!

More than
6x
increased safety factor compared to unrestrained porcelain tiles!



COMPATIBLE WITH OUR BOXRAIL SUPPORT SYSTEM

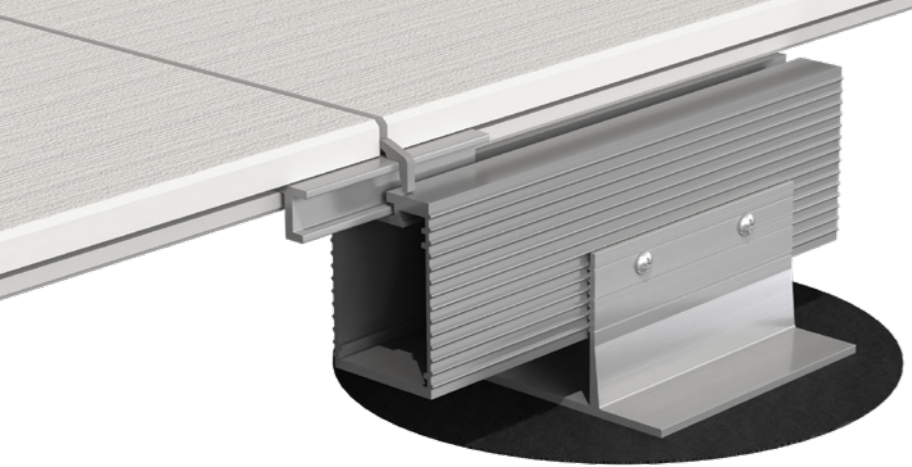
All Fire rated, non-combustible aluminium support system with a unique clip designed for restraining porcelain tiles against wind-uplift. Suitable for use with all balconies and terraces. Works with all suitable machined exterior porcelain and concrete tiles of minimum 200mm thickness.



Construction height

By using different combinations of support cleats and BoxRails a wide range of construction heights can be achieved. The joists can also be adjusted within the cleats to suit gradients as well as heights.

Support Cleat	BoxRail 35		BoxRail 60		
Product code	BR07		BR01		
	Height (mm)	Min	Max	Min	Max
SF04	35	35	53	63	79
SF01	53	53	69	63	99
SF06	107	107	123	107	143
CX01	50	157	173	157	207



J-CLIP HAS BEEN DESIGNED TO WORK WITH PYRO+ECHO PAVING

Pyro + Echo is an innovative brand which has perfected the method of supplying external porcelain tiles with a rebated groove slot to receive the J-Clip and allow for the permanent restraint of the tile. With an extensive colour selection and industry leading service levels combining Pyro + Echo tiles with MyDek's J-Clip and support system is the perfect partnership for the success of your project.



MYDEK
Non-combustible decking systems

mydek.com

P Y R O
+
E C H O

EXTERNAL
PORCELAIN
TILE SPECIALIST

P + E

T: 020 3900 0392
E: studio@pyroandecho.com
W: pyroandecho.com

P Y R O
+
E C H O

EXTERNAL
PORCELAIN
TILE SPECIALIST

Introducing Pyro+Echo's range of popular porcelain tile finishes

Introducing our new core range of 2cm tiles. Our selection offers a variety of colours, sizes and finishes that are both cost effective and provide lasting quality.

Perfect for use on terraces in luxury developments, these tiles offer superior resistance to the elements while providing an attractive aesthetic.

With our new collection, you can be sure of finding something that meets your needs without compromising on durability or style.



P + E

T: 020 3900 0392
E: studio@pyroandecho.com
W: pyroandecho.com

P + E

T: 020 3900 0392
E: studio@pyroandecho.com
W: pyroandecho.com



EXTERNAL
PORCELAIN
TILE SPECIALIST

2cm tiles are available in a range of sizes and formats. For detailed specifications please contact the Pyro + Echo team.

Central Coast Stone



Centrereach Concrete



Charleston Clay



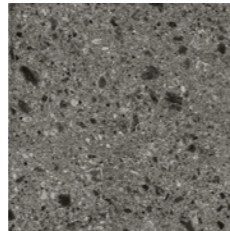
College Point Blanks



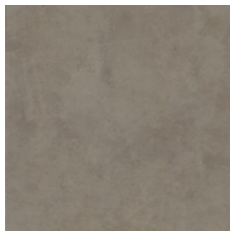
Old Bridge Boards



Park Terrace Terrazzo



Qubus Park Concrete



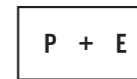
Spinners Gate Stone



Union Square Stone



T: 020 3900 0392
E: studio@pyroandecho.com
W: pyroandecho.com



T: 020 3900 0392
E: studio@pyroandecho.com
W: pyroandecho.com

ABOUT OUR COMPANY

The MyDek team harnesses a huge range of experience, creativity, passion and drive to make balconies and terraces safe places to be. Drawn from different areas of the construction industry our team brings together extensive knowledge of specification, technical compliance and outstanding innovation to create a non-combustible decking system that delivers on our ethos of Safe. Smart. Sustainable.you're in safe hands.

Our Values

For us, we want to create more than great products. We're committed to building a team and company that reflects our values too. In line with the company ethos, "Safe, Smart, Sustainable," MyDek is reliable, innovative and delivers long-term value to its customers, staff and supply chain.



For further information:

T: +44 (0)3300 94 94 11

E: sales@mydek.com

mydek.com

About our company

Pyro + Echo is a leading supplier of high-quality porcelain tiles and paving slabs for interior and external use. We have collaborated with MyDek to bring you the best in external tile solutions, perfect for commercial or residential developments. Our 2cm porcelain tiles are rectified and designed to help your vision come alive! Let us take care of all your tiling needs, from terraces to balconies - Pyro + Echo provides premium quality tiles that will last for years to come.



EXTERNAL
PORCELAIN
TILE SPECIALIST

For further information:

T: 020 3900 0392

E: studio@pyroandecho.com

W: pyroandecho.com